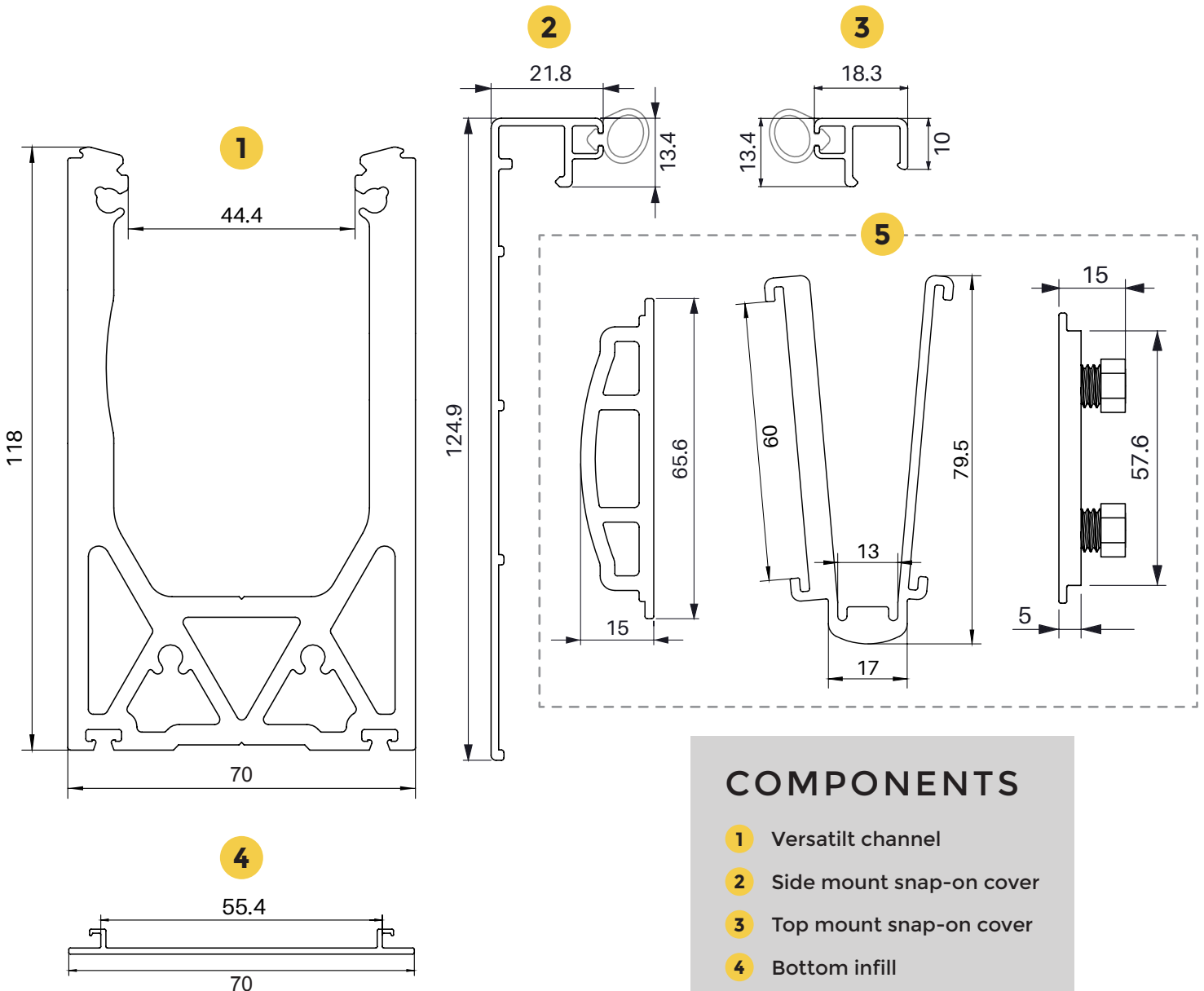


**NEW!**

# PATENTED VERSATILT

## GLASS TILT ADJUSTABLE CHANNEL SYSTEM

- Suits 12mm to 15mm toughened glass (including SGP toughened laminate glass)
- Covers available in satin anodised or mill finish. Channel finish is clear anodised
- Face mount & deck mount styles available - 4200mm long
- Pre-machined elongated fixing holes
- Easy snap-on covers hide all fixings
- Highest quality complete channel system + easy to install!
- Tilt adjust and tighten off glass from INSIDE the balcony



## COMPONENTS

- 1** Versatilt channel
- 2** Side mount snap-on cover
- 3** Top mount snap-on cover
- 4** Bottom infill
- 5** Pressure plate kit:
  - Curve plate
  - Rubber gasket
  - Pressure plate

# VERSATA TILT

## HOW TO ORDER

### 1 SELECT CHANNEL FIXING METHOD

#### FACE MOUNT

VER-4200-FMK

#### KIT INCLUDES:

- 1x 4200mm channel
- 1x 4450mm side cover
- 1x 4450mm top cover
- 1x 4450mm bottom infill
- 2x 4450mm glazing rubbers

OR

#### DECK MOUNT or IN-GROUND

VER-4200-DMK

#### KIT INCLUDES:

- 1x 4200mm channel
- 2x 4450mm side cover
- 2x 4450mm top cover
- 2x 4450mm glazing rubbers

### 2 SELECT FINISH

SATIN ANODISED

OR

MILL ALUMINIUM

### 3 SELECT PRESSURE PLATE KIT

#### 12MM GLASS KIT

VER-PPKIT

#### KIT INCLUDES:

- 1x U gasket
- 1x curve plate
- 1x pressure plate
- 2x M12 nuts

OR

#### 15MM GLASS KIT

VER-PPKIT + VER-15KIT-GAS

#### KIT INCLUDES:

- 12mm glass kit
- PLUS
- 6x U gaskets to suit 15mm glass

**Recommended pressure plates per panel when using 970mm high 12mm clear toughened panels:**

- Up to 1300mm wide span = 3 pressure plates per panel
- 1300mm to 1500mm wide span = 4 pressure plates per panel

### 4 ADD MISC. EXTRAS

#### DECK MOUNT END PLATES

VER-2DMEP: 2x end plates & 4x screws

#### FACE MOUNT END PLATES

VER-2FMEP: 2x end plates & 4x screws

#### TOP INFILL DIVIDERS

VER-0300-TI: 300mm long

#### JOINING PINS

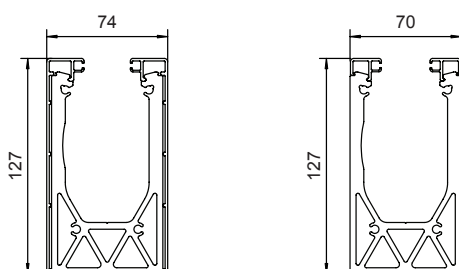
VER-PINS: Pack of 10

#### RUBBER FOR 15MM GLASS

VER-15KIT-RUB: 1x R2 rubber & 1x R14 rubber

## OVERALL DIMENSIONS

### DECK MOUNT



### FACE MOUNT

